



Rev. 1.4 2019/07

IMPORTANT NOTICE

This manual is intended primarily for use by professional bicycle mechanics. Users who are not professionally trained for bicycle assembly should not attempt to install the components

If any part of the information on the manual is unclear to you, do not proceed with the installation. Instead, contact your place of purchase or a local bicycle dealer for their assistance.

Make sure to read all instruction manuals included with the product.

All manuals can be viewed on our website <http://ingrid.bike>

MAINTENANCE

This product is not guaranteed against natural wear and deterioration from normal use and aging.

!!! PERIODICALLY CHECK THE TIGHTENINGS. INCORRECT TIGHTENING MAY CAUSE MALFUNCTIONING OR BREAKAGE

Limitazione di garanzia ed esonero di responsabilità

INGRID È UN MARCHIO CEDUTO IN LICENZA TEMPORANEA A MOSCONI s.r.l.

MOSCONI s.r.l. garantisce i suoi prodotti contro difetti di fabbricazione o di materiale per un periodo di due anni a partire dalla data di acquisto del primo acquirente, comprovata dalla ricevuta fiscale/scontino o comprovata dalla fattura in caso di acquisto diretto. Il difetto deve essere comunicato dal primo proprietario al rivenditore in caso di acquisto non diretto o per posta /e-mail a info@ingrid.bike in caso di acquisto diretto. In caso di restituzione, solo dopo la nostra autorizzazione, gli oneri e rischi di trasporto sono a carico del cliente.

MOSCONI s.r.l. raccomanda di seguire le istruzioni fornite per la corretta installazione ed utilizzo; in caso le istruzioni non vengano seguite, la garanzia decade. I manuali d'uso INGRID si possono trovare online all'indirizzo ingrid.bike

La garanzia non copre una manutenzione ordinaria o straordinaria mancante, sbagliata o non appropriata, non copre i danni causati da errato montaggio o assemblaggio con componenti non compatibili, non copre danni dovuti a urti, cadute o incidenti, la normale usura, l'alterazione o la modifica del prodotto originale e i danni causati dal trasporto. Se MOSCONI s.r.l., dopo aver controllato il prodotto, ritiene che il danno è dovuto ad uno dei motivi di cui sopra, la richiesta di garanzia non sarà accettata e l'articolo difettoso verrà restituito al ricorrente che sosterrà le eventuali spese di spedizione.

MOSCONI s.r.l. non è responsabile per danni o lesioni causati da un'installazione non corretta o uso non corretto del prodotto.

Nella misura ammessa dal diritto locale, fatta eccezione per gli obblighi stabiliti specificatamente nella presente garanzia, in nessun caso MOSCONI s.r.l. o suoi fornitori di terze parti sarà responsabile per danni diretti, indiretti, speciali, incidentali o consequenziali.

Limited warranty and disclaimer

INGRID IS A TRADEMARK TEMPORARY LICENSED TO MOSCONI s.r.l.

MOSCONI s.r.l. guarantees its products against materials or manufacturing defects for a period of two years starting from the date of purchase of the first buyer, proven by the receipt or proven by the invoice in case of direct purchase. The defect has to be communicated by the first owner to the dealer in case of non-direct purchase or by mail/e-mail to info@ingrid.bike in case of direct purchase.

In case of return, just after our authorization, transport charges and risks are at customer cost.

MOS/INGRID recommends to follow the provided instructions for the correct usage and installation; in case instructions are not followed, warranty expires. The INGRID user manuals can be found online at ingrid.bike

Warranty do not cover missed, wrong or bad ordinary or extraordinary maintenance, damages caused by wrong assembly or with non-compatible components assembly, impacts, falls or accidents, normal consumption, alteration or modification of the original product and damages caused by transport. If MOSCONI s.r.l., after checking the product, finds that the damage is due to one of the reasons mentioned above, the warranty request will not be accepted and the defective item is sent back to the plaintiff who supports the shipping fees.

MOSCONI s.r.l. is not responsible for damages or injury caused by improper installation or wrong usage of the product.

To the extent allowed by local law, except for the obligations specifically set forth in this warranty statement, in no event shall MOSCONI s.r.l. or its third party suppliers be liable for direct, indirect, special, incidental, or consequential damages.

MOSCONI s.r.l. | via la Villa 28 zona artigianale Ghilardino 61034 Fossombrone, PU

NOTE

We recommended to use the following **FSA** bottom bracket and spacer:

- BSA (68/73 mm)
- Press Fit 30 (68/73 mm)
- BB30 (68/73 mm)
- Press Fit BB92 (92 mm)
- Press Fit BB89.5 (89.5 mm)
- **BB-EVO7000**
- **BB-EVO9500** (ceramic)
- **BB-PF6000 + EI226** (adapter)
- **BB-PF8200** (ceramic) + **EI226** (adapter)
- **BB-OS6000 + EI226** (adapter)
- **BB-OS8200** (ceramic) + **EI226** (adapter)
- **EL237**
- **EL237 + MW114** (spacer)

The use of CRS-L2 with bottom bracket not included in this list does not guarantee the proper functioning

To install the bottom bracket refer to the manufacturer's manuals.

SPECIFICATION

Al alloy 2024 Cranks

Al alloy 7075 30 mm spindle

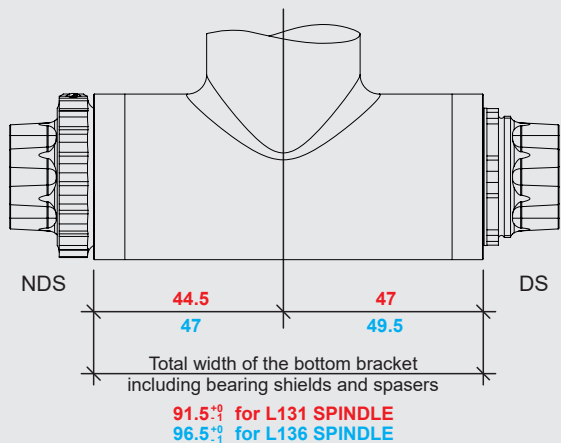
Weight 435g (arms length 170 with L131 spindle, w/o chainring)

Q-Factor 163 mm (with L131 spindle), **168 mm** (with L136 spindle)

Chain line 49,5 mm (with L131 spindle), **52 mm** (with L136 spindle)

Available arms length 170/172.5/175

INTENDED USE: CX/GRAVEL, XC/MARATHON



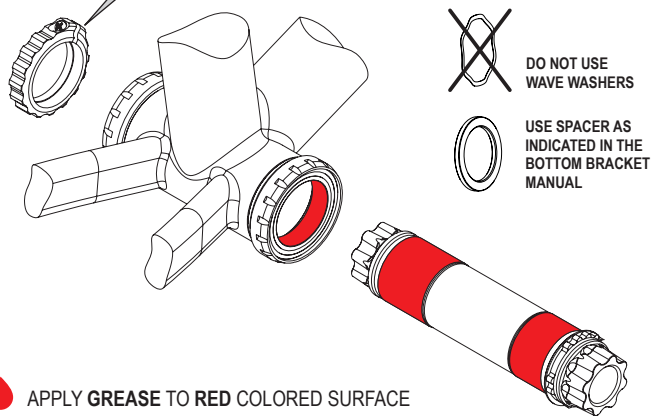
We recommended to use the following **FSA** bottom bracket and spacer:

- BSA (68/73 mm)
- Press Fit 30 (68/73 mm)
- BB30 (68/73 mm)
- Press Fit BB92 (92 mm)
- Press Fit BB89.5 (89.5 mm)
- **BB-EVO7000**
- **BB-EVO9500** (ceramic)
- **BB-PF6000 + EI226** (adapter)
- **BB-PF8200** (ceramic) + **EI226** (adapter)
- **BB-OS6000 + EI226** (adapter)
- **BB-OS8200** (ceramic) + **EI226** (adapter)
- **EL237**
- **EL237 + MW114** (spacer)

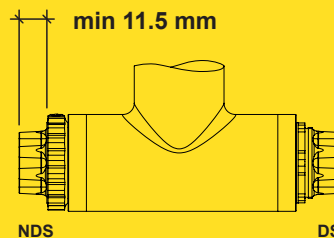
The use of CRS-L2 with bottom bracket not included in this list does not guarantee the proper functioning

To install the bottom bracket refer to the manufacturer's manuals.

Screw the **RING** to preload the crankset until it stops. Make sure there is no play. Tighten **LOOSELY** the screw to lock the preload ring by a T9 Torx screwdriver.



!! AFTER INSTALLATION CHECK THIS DIMENSION !!



CRANKSET AND CHAINRING ASSEMBLY/DISASSEMBLY

TIGHTENING TORQUE **10**
40-45 Nm

TO TIGHTEN THE RING NUT USE THE INGRID TOOL **ING-T-CS**
TIGHTENING TORQUE 12-15 Nm

TO DISASSEMBLY

!!! DO NOT REMOVE THE RING NUT TO REMOVE THE CRANKS USE ONLY A 10MM ALLEN KEY. BEFORE UNSCREWING CLEAN AND LUBRICATE THE SPACE BETWEEN THE SCREW AND THE RING NUT

10 TIGHTENING TORQUE 40-45 Nm

- APPLY GREASE TO RED COLORED SURFACE
- APPLY MEDIUM STRENGTH THREADLOCKER TO BLUE COLORED SURFACE

!!! PERIODICALLY CHECK THE TIGHTENINGS. INCORRECT TIGHTENING MAY CAUSE MALFUNCTIONING OR BREAKAGE