



This manual is intended primarily for use by professional bicycle mechanics. Users who are not professionally trained for bicycle assembly should not attempt to install the components

If any part of the information on the manual is unclear to you, do not proceed with the installation. Instead, contact your dealer or a local bicycle shop for their assistance.

Make sure to read all instruction manuals included with the product.

You can find all the manuals and specs on our website <http://ingrid.bike>

MAINTENANCE

This product is not guaranteed against natural wear and deterioration from normal use and aging.

!!! PERIODICALLY CHECK THE TIGHTENING. INCORRECT TIGHTENING CAN CAUSE MALFUNCTIONS OR BREAKAGE

BOTTOM BRACKET WIDTH

INGRID BSA and T47 BB cups complies with the required asymmetry of +2.5mm on DRIVE SIDE and required dimensions for INGRID spindles and cranksets. For more information see spindles and cranksets manuals.

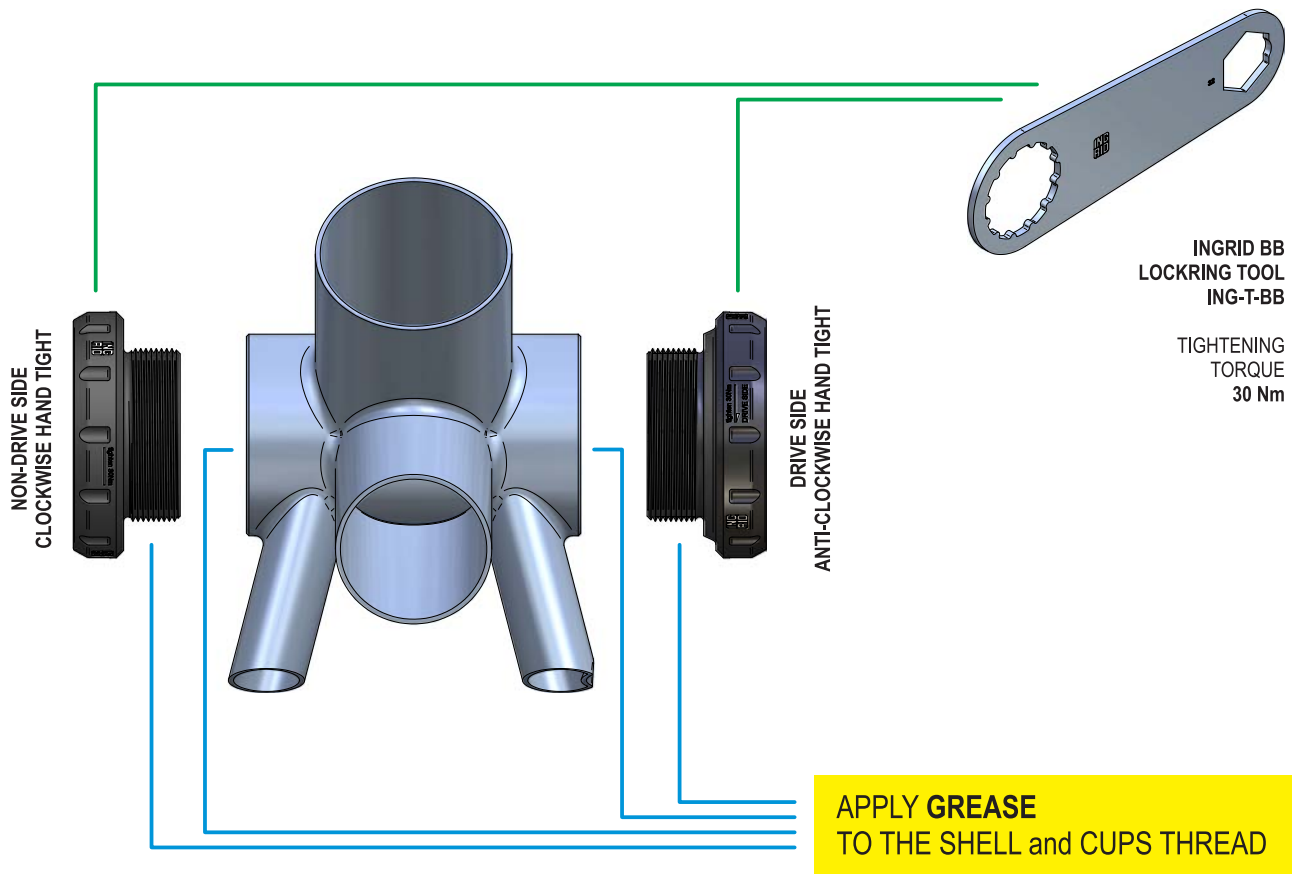
BSA

BB SHELL	OVERALL WIDTH
68	91
73	96

T47

BB SHELL	9.25 mm SPACERS INCLUDED WITH T47 BB	1.25 mm SPACERS INCLUDED WITH SPINDLES	OVERALL WIDTH
68	ONE ON EACH SIDE	NO	91
73	ONE ON EACH SIDE	NO	96
86.5	NO	NO	91
89.5	NO	ONE ON EACH SIDE	96.5
92	NO	NO	96.5

68 / 73 mm English Threaded Bottom Bracket (BSA)



68 / 73 / 86.5 / 89.5 / 92 mm T47 Bottom Bracket

